

CARLO Aiu, Classic series



beka DIFFERENT
BY DESIGN



Watch product video!



Effective floor lift with loop system, made out of durable aluminum!

The CARLO Alu, Classic lifters, are characterised by an extremely light and very stable aluminium construction and offers maximum safety and comfort to your residents and your nursing staff. The lifting arm with the sling spreader bar can be lowered using the hand control which ensures that a person who has fallen to the floor can be safely and easily lifted. The carrier frame can be spread electrically and is thus very comfortable to operate. Due to the low height of the carrier frame, the CARLO Alu, Classic lifters, can easily pass underneath both bathtubs and most care beds. The stable sling spreader bar is suitable for all loop slings.

- 
 Group 3
- 
 Group 4
- 
 Group 5

Easy positioning,
high comfort.

1

Durable hanger bar with 360° rotation range and Anti-rotation mechanism (ARM)

The hanger bar has a large, free rotation range of 360° and the Anti-rotation mechanism (ARM) prevents uncomfortable pendulum or rotation movements and allows for a one-caregiver transfer in most cases. The ample space between the hanger bar and the column also prevent the residents from coming into contact with the lifting column.

2

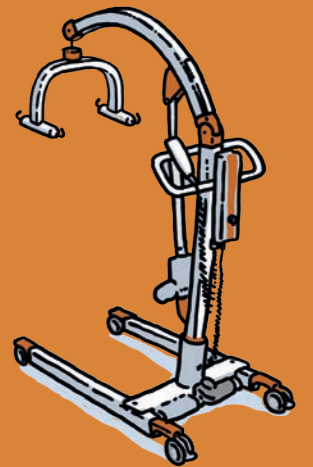
Multiple hanger bar options

The CARLO Alu, Classic series is available in multiple comfort hanger bar options to suite everyones needs.



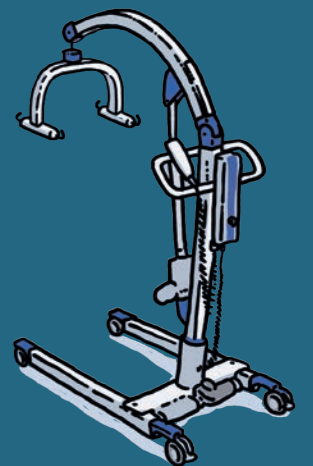
Model 185

SWL of 185 kg, made out of high quality aluminum, suitable for showering and bathing.



Model 230

For large residents with a SWL of 230 kg. Strong and reliable aluminum and steel construction, with excellent maneuverability.



✓ Lightweight construction, with excellent maneuverability

✓ Ideal for bathing and showering

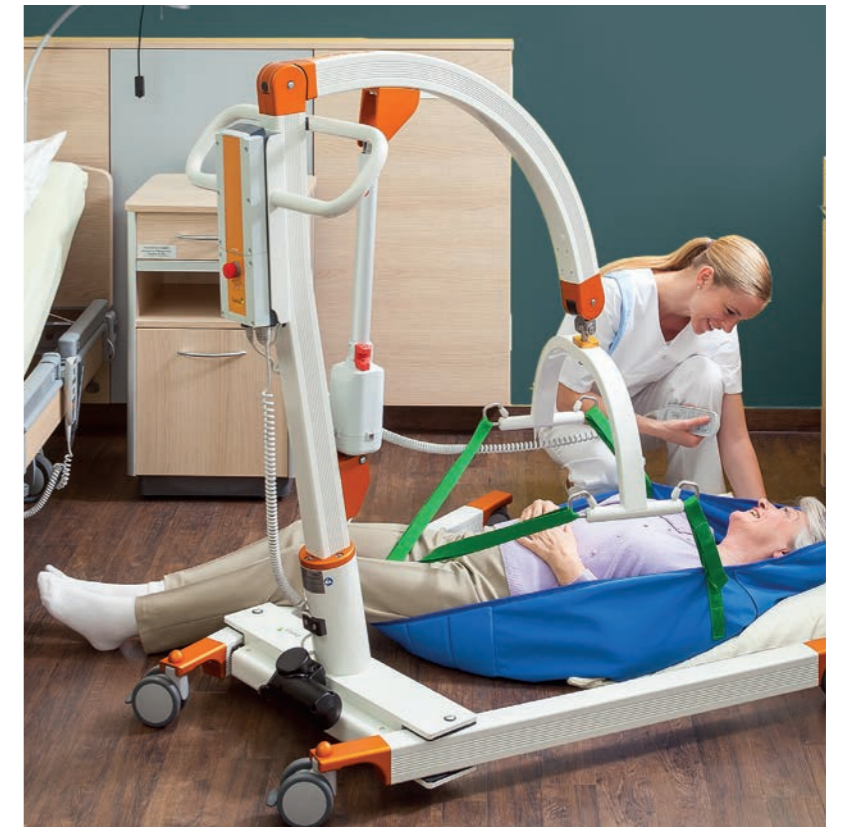
✓ Anti-rotation mechanism (ARM)

✓ The hanger bar can lower to the floor, easily picking up fallen residents

✓ Closed double castors



Electrical spreadable chassis and height adjustment



Lowering of the hanger bar to the floor



Hand control with display of the battery charge status



Free 360° rotation range between the hanger bar and the column



High quality closed double castors

Options

Low chassis

The low chassis height of 58 mm allows for compatibility with low profile care equipment. Available with the 185 model only.



Digital Scale

The scale can be calibrated with kilograms or pounds.



Different loop systems

- 2-point spreader bar
- 4-point spreader bar
- 4-point flat spreader bar
- 6-point spreader bar



CARLO Alu series

In addition to the CARLO Alu, Classic series we offer the CARLO Alu, Comfort EP models, that come with a clip attachment system and many advantages. The following table provides a good overview on all CARLO models available at BEKA Hospitec.



CARLO Alu,
Comfort EP 185



CARLO Alu,
Comfort EP 230



CARLO Alu,
Classic 185



CARLO Alu,
Classic 230

EPS
(Electric Positioning System)



ARM
(Anti-Rotation Mechanism)



SWL

185 kg

230 kg

185 kg

230 kg

Material

Aluminum

Aluminum +
Steel

Aluminum

Aluminum +
Steel

Sling attachment system

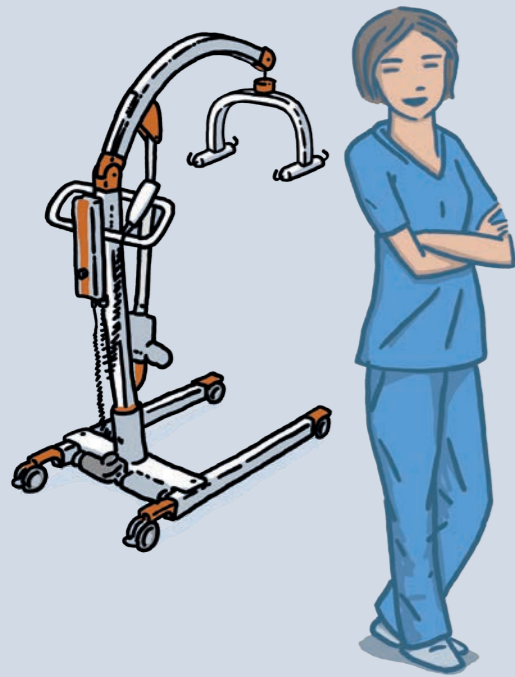
Clip

Clip

Loop

Loop

„I can easily operate the hoist myself, thanks to the clever design.“

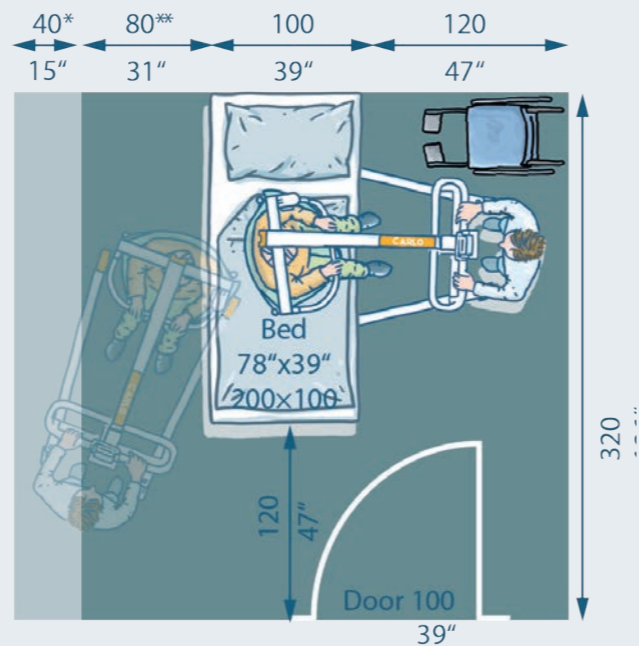


- ✓ Lightweight construction, easy to maneuver
- ✓ Electrical height adjustment and electrically spreadable carrier frame
- ✓ Easy operation via the hand control with intuitive symbols for all functions and display of battery status
- ✓ Hanger bar with Anti-Rotation mechanism allows easy transfers

Space requirements for CARLO Alu, Classic using an example Planning proposal.

Our mobile lifters such as the CARLO Alu, Classic can be used throughout the facility as they are not fixed in one location. However there are some space requirements that need to be considered to guarantee a problem-free use.

Please refer to the BEKA-Hospitec Mobility Guidebook for further helpful information.



Technical Data

	Model 185 ●	Model 230 ●
Chassis (L x H)	1.290 x 125 mm	1.400 mm x 125 mm
Inner leg width (legs closed/open)	540 / 1.040 mm	540 / 1.100 mm
Outer leg width (legs closed)	700 mm	700 mm
Lifting range	1.400 mm	1.400 mm
SWL	185 kg	230 kg
Material	Aluminum	Aluminum + Steel

Product Information

Light and easy to maneuver
Hand control with display of the battery status
Loop-style hanger bar with 360° rotation range
Electric height adjustment and electrically spreadable chassis
Anti-rotation mechanism (ARM)
Different Loop systems available

Available Options

- Extra battery 24 V
- Wall charging unit
- Digital patient scale
- Low chassis (only 185)

Loop Slings

- Transfer slings
With headrest
Padded leg loops
High quality nylon material
- Bathing slings
With headrest
Padded leg loops
High quality nylon-mesh material
- Toilet slings
With headrest
Padded leg loops
Arm padding
- Soft slings
With headrest
Padded leg loops
Breathable nylon/cotton blend

beka DIFFERENT
BY DESIGN

BEKA Hospitec GmbH | Am Rübenmorgen 3 | 35582 Wetzlar-Dutenhofen
Tel +49 641 922 20-0 | E-Mail info@beka-hospitec.com
www.beka-hospitec.com

